

Service Bulletin

Document: SB214 rev. C
Title: Operating the Radio Control Set
Machinery Affected: *RailRider Pro*® Floor Truss Press
Applies To: *Lodar*® 92 Series (Optional Equipment)
Distribution: Customers, Upon Order



Copyright © 2015, 2016, 2017 MiTek®. All rights reserved.

MiTek Machinery Division
301 Fountain Lakes Industrial Drive
St. Charles, MO 63301
Phone: 800-523-3380
www.mii.com

Item # and Rev.	SB214 rev. C
Revision Date	12 January 2017
Revised By	R. Tucker
Approved By	V. Carroll
Orig Creation Date	7 July 2015
Created By	R. Tucker
Applicability	537007 (Remote is Lodar PN 93 2 04 K-8)
Effectivity	All RailRider Pros with this option

Purpose and Scope

This document describes the normal operation of the radio control set indicated on the title page. Subsequent models may vary slightly. If you have any questions, call MiTek Machinery Division Customer Service at 800-523-3380.

This Service Bulletin may be provided as part of a kit when an extra transmitter (Hand-Held Remote) is purchased. If so, the kit number is SB214KIT and includes the following parts.

Table 1: Parts in SB214KIT

Part #	Part Description
537007	Hand-Held Remote (transmitter, mini)
SB214	Service Bulletin document

Introduction & Specifications

This radio control set allows the operator to control the following functions from a remote location when using the Hand-Held Remote, or when standing at the Receiver located on the machine: clamp, unclamp, eject up, eject down (retract).

- There are 2 Receivers with keypads and 2 Hand-Held Remotes for each system: 1 for the infeed side of the table and 1 for the outfeed side of the table.
- The distance between the Hand-Held Remote and Receiver must be less than 200 ft (60 meters) without radio wave barriers in the path.
- The Hand-Held Remote uses 4 AAA batteries (supplied).
- Some images used in this Service Bulletin were taken from a *Lodar* document numbered w92 0 04K.05. All rights belong to *Lodar*.

Figure 1: Remote Transmitter and Receiver With Keypad

Hand-Held Remote



The number after the dash in the model numbers of the remote and receiver must match.

Procedures

Install Batteries in Hand-Held Remotes

This step may already be complete. Check each Hand-Held Remote by pressing the green POWER ON button. If the indicator light illuminates, the batteries are installed properly. If not:

1. Remove the cover on the back of the Hand-Held Remote as shown in Figure 2.
2. Each Hand-Held Remote uses 4 AAA batteries. Be sure to install them in the correct direction.
3. Replace the cover.

Figure 2: Remove Screws to Access Batteries



If the Hand-Held Remote was purchased with a new *RailRider* machine, MiTek registered it and installed the batteries so they are ready to use.

If the Hand-Held Remote was purchased separately from a new *RailRider* machine, the battery pack may be flipped over to avoid draining the batteries.

Registry Limitations

There are 2 Receivers with keypads and 2 Hand-Held Remotes for each system: 1 for the infeed side of the table and 1 for the outfeed side of the table. Each Receiver must have only 1 Hand-Held Remote registered to it and each Hand-Held Remote can only be registered to 1 Receiver.

If a second Hand-Held Remote is registered to a Receiver, the first Hand-Held Remote will automatically become unregistered.

If a second Receiver is registered to a Hand-Held Remote, the registration will occur successfully. But, safety precaution have been taken to prevent the *RailRider* clamping and ejection features from operating in this scenario. If this occurs, the horn will sound and keep sounding while any yellow button is being held down. This is the signal that the Hand-Held Remote has been registered to two different Receivers. If this occurs, remove the fuse for the unwanted Receiver, and the registries for the Receiver will be lost. You will need to re-register the correct Hand-Held Remote to that Receiver again.

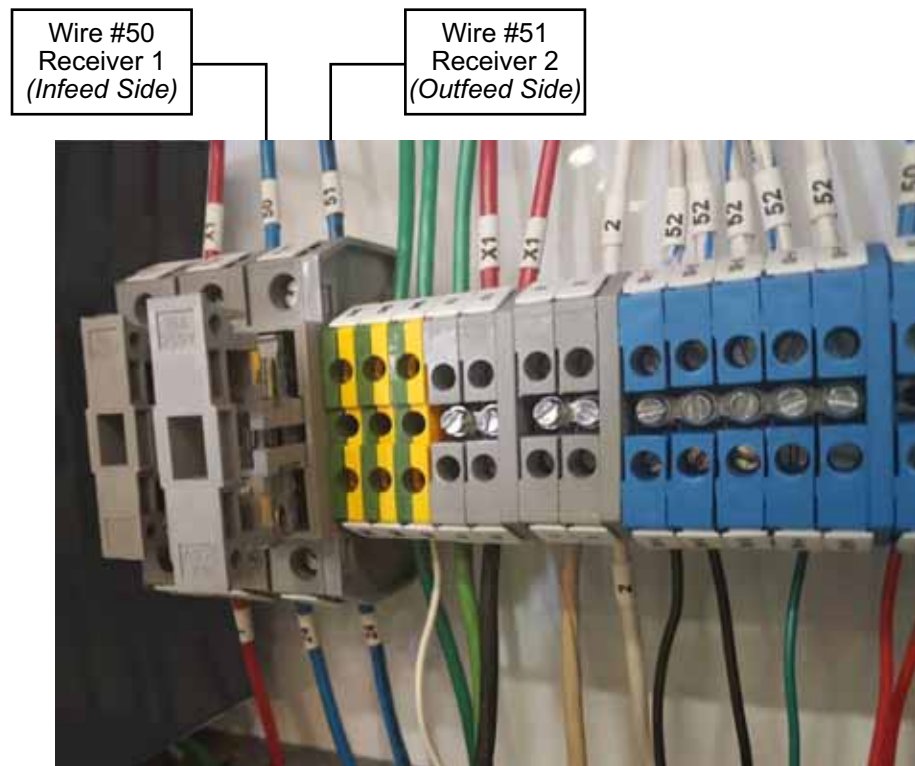
Continue this procedure for registration instructions.

Registering a Hand-Held Remote to a Receiver

Each Hand-Held Remote must be registered to its Receiver for the two units to communicate through radio waves. If the Radio Control option is being added to a machine in the field, this procedure must be completed before the Hand-Held Remote will work. When a new machine is shipped from MiTek with the Radio Control option, the system is already registered, but follow this procedure if the registration is ever lost.

1. Disconnect the power to the Receiver by removing the fuse from the *RailRider* main electrical enclosure. It is shown in Figure 3.
2. Ensure each Hand-Held remote has batteries installed, then press the STOP (*Power Off*) button on all Hand-Held Remotes.

Figure 3: Pull Indicated Fuse to Remove Power From Each Receiver



3. Review these steps before proceeding. They must be done within a 20-second window to register the Receiver and Hand-Held Remote to each other:

- a) Re-insert the fuse to reconnect power to the Receiver. The Receiver indicator light flashes to indicate a 20-second registration window is open.

During this 20-second registration window, perform the following steps:

Figure 4: Buttons Used When Registering a Hand-Held Remote



Don't forget to label the Receivers and Hand-Held Remotes!



- b) On the Hand-Held Remote being registered, press and hold both the green RESET (*Power On*) button and the F1 (*Eject Up*) for at least 5 seconds during this 20-second window.
- c) When the Hand-Held Remote is acknowledged, the indicator light illuminates for 3 seconds. Release the buttons in the order shown below during that 3-second window for registration to complete:
 - 1) Release the F1 (*Eject-Up*) button
 - 2) Release the RESET (*Power On*) button

4. Label each Receiver and each Hand-Held Remote with a permanent label. The infeed side components are #1. The outfeed side components are #2.

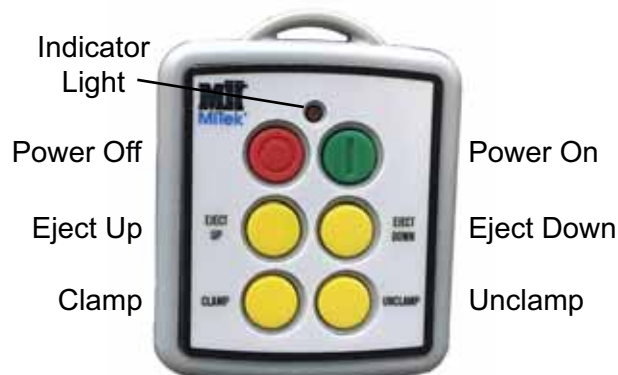
If the Radio Control set was purchased with a new RailRider Pro table, it was registered and labeled by MiTek.

Operating the Hand-Held Remote and Keypad

This procedure applies to both the Hand-Held Remote and the keypad located on the Receiver. They both transmit a signal to the Receiver. Refer to Figure 5 during this procedure.

1. Power up the Hand-Held Remote or Receiver keypad by pressing the green POWER ON button.
 - The indicator light comes on, and then slowly blinks once it is communicating with the Receiver.
 - If no other buttons are pressed within 1 minute, it times out and shuts itself off. Press the green POWER ON button again to continue operating.
2. Press the yellow button that corresponds to the desired action, using these rules:
 - Press once and release. Press again within 5 seconds and hold for 1 second, then the operation will begin.
 - If the operator does not press the 2nd press within the 5 second window, the process starts again at the beginning.
 - If the operator presses the wrong button for the 2nd press, the process starts again at the beginning.
3. Once the correct button pressing sequence has been acknowledged, the horn sounds and the movement requested begins.

Figure 5: The Keypad Buttons



END OF SERVICE BULLETIN